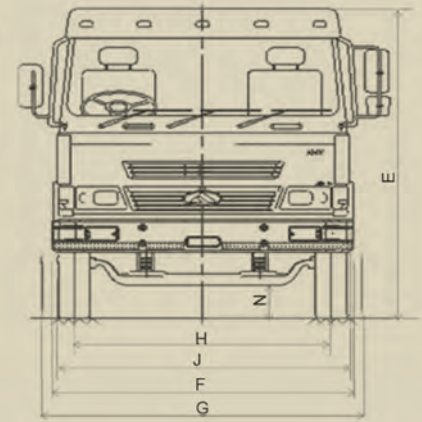
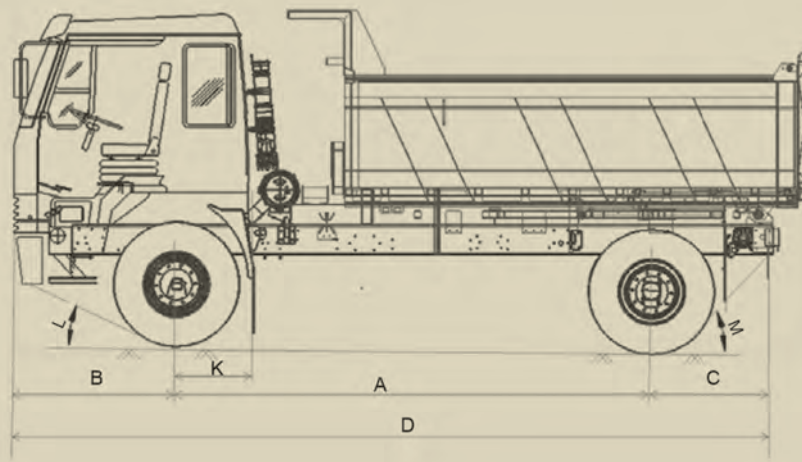




1618 TP





Asia MotorWorks Ltd.

AMW 1618 - 4040 WB 4x2 6S TIPPER CAB

CHASSIS NOMINAL DIMENSIONS - Unladen (mm)

A) Wheel Base	:	4040
B) Front Overhang	:	1390
C) Rear Overhang	:	1035
D) Overall Length	:	6756
E) Overall Height (Cab)	:	2700
F) Overall Width (Cab)	:	2475
G) Overall Width (Rear tyres)	:	2494
H) Track Front	:	2020
J) Track Rear	:	1856
K) Front Axle to Back of Cabin	:	760
L) Approach Angle	:	20°
M) Departure Angle	:	60°
N) Ground Clearance - Front	:	280
O) Ground Clearance - Rear	:	270
P) Frame Width	:	864

WEIGHTS (Kgs)

	Unladen Chassis	Laden (CMVR)
Front Axle	: 3700	6000
Rear Axle	: 4100	10200
Total	: 7800	16200

ENGINE

Model	: CUMMINS - B5.9 18031 - BS III
Type	: DI - Turbo Charged after Cooled Diesel Engine
No. of Cylinders	: 6 inline
Bore x Stroke	: 102 x 120 mm
Capacity	: 5883 CC
Max Power	: 132 KW (178 BHP) @ 2500 Rpm
Max Torque	: 675 Nm @ 1500 Rpm
Compression Ratio	: 18:01
Oil Sump Capacity	: 15.4 Ltrs
Air Filter	: Dry type Remote Mounted
Oil Filter	: Full Flow Paper Type
Fuel Filter	: Single filter with water separator
Fuel Injection Pump	: Rotary Type
Fuel Tank	: 220 Ltrs

CLUTCH

SETCO, Single Dry Plate Coil Spring type, Hydro pneumatically operated. Dia 380mm

GEAR BOX

Model: Eaton ES 9306 A Gear Box – Synchronmesh
 Speed Ratios:
 I – 9.01, II – 5.27, III – 3.22, IV – 2.04
 V – 1.36, VI – 1.00, Reverse – 8.63

PROPELLER SHAFT

1710 Series – GB to rear Axle

REAR AXLE

MS-13 1497
 Single reduction hypoid gears, fully floating axle shafts.
 Ratio: 6.17 RAR.

FRONT AXLE

Heavy Duty Forged I Section – Reverse Elliot type

FRAME

HSLA Steel, Ladder Type Bolted Cross members.
 Side Member: 256 x 75 x 7mm Channel reinforced with inner channel section of 5 mm thick.

SUSPENSION

Front: Semi elliptical leaf springs with shock absorber.
 Span: 1650mm
 Rear: Semi elliptical leaf Springs (Two stage spring)
 Span: 1600mm

SHOCK ABSORBERS

2 nos. Heavy duty, double acting hydraulic shock absorbers on front suspension.

STEERING

Integral Power Steering, with Double UJ. Adjustable Steering Wheel - Ratio 20.4
 Steering Wheel Dia: 475mm

WHEELS & TYRES

Rims: B7.5 x 20 – 10 Bolts, Spigotted
 Tyres: Front: 10.0 X 20 – 16 PR – 2 Nos (Highway)
 Rear: 10.00 X 20 – 16 PR – 4Nos (Lug)
 Spare: 10.00 X 20 16 PR - 1 No (Highway)

BRAKES

Service Brakes : Dual Circuit full Air
 Parking Brake : Spring actuated on Rear Axles
 Engine Exhaust brake: Butterfly type, provided

ELECTRICAL SYSTEM

System : 24 Volt (Negative Earth)
 Alternator : 75 A
 Battery : 2 x 12V x 120 Amp hr

CAB

Hydraulic Tilttable cab

BODY & TIPPING SYSTEM

All steel welded body Construction with automatic Tail Gate
 Capacity – 8.5 Cum, 10 Cum
 Single Ram, Front end Tipping – Tipping angle > 51°

PERFORMANCE (@ 16,200Kgs)

Max Speed - geared (KMPH) : 80
 Max. Gradeability (%) : 43
 Min. Turning Circle Radius-mm : 14354

Technical Specifications are subject to changewithout notice

