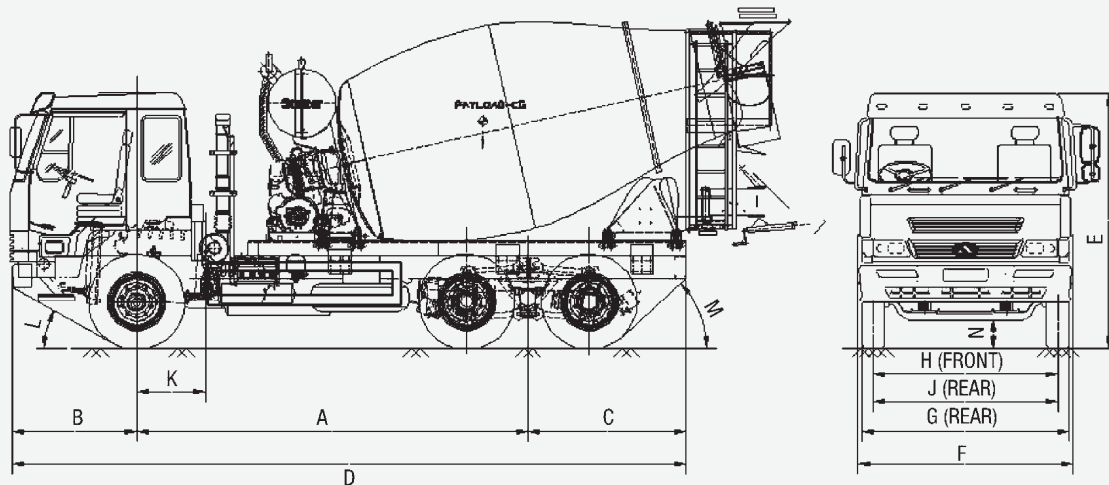


2518 TM





Asia MotorWorks Ltd.

2518 - 4300 WB 6 x 4 TRANSIT MIXER

CHASSIS NOMINAL DIMENSIONS - Unladen (mm)

A) Wheel Base	:	4300
B) Front Overhang	:	1295
C) Rear Overhang	:	1735
D) Overall Length	:	7385
E) Overall Height (Cab)	:	2700
F) Overall Width (Cab)	:	2475
G) Overall Width (Rear Tyres)	:	2494
H) Wheel Track - Front	:	2020
J) Wheel Track - Rear	:	1856
K) Front Axle to Back of Cabin	:	760
L) Approach Angle	:	19°
M) Departure Angle	:	41°
N) Min. Ground Clearance - Front	:	280
O) Min. Ground Clearance - Rear	:	270
P) Frame Width	:	864

WEIGHTS (Kgs)

	Unladen chassis	Laden (CMVR)
Front Axle	: 3130	6000
Rear Axle	: 4150	19000
Total	: 7280	25000

ENGINE

Model: CUMMINS B5.9 180 31 - BS III
 Type: DI - Turbo Charged after Cooled Diesel Engine
 No. of Cylinders : 6 Inline
 Bore x Stroke : 102 x 120 mm
 Capacity : 5883 cc
 Max. Power : 132 KW (178 BHP) @ 2500 Rpm
 Max. Torque : 675Nm @ 1500 Rpm
 Compression Ratio : 18:01
 Oil Sump Capacity : 15.4 Ltrs
 Air Filter : Dry type Remote Mounted
 Oil Filter : Full Flow Paper Type
 Fuel Filter : Single filter with water separator
 Fuel Injection Pump : Rotary FIP
 Fuel Tank : 240 Ltrs

CLUTCH

SETCO, Single Dry Plate Coil Spring type, Hydro Pneumatically operated.

GEARBOX

Model : Eaton 6306A - 6S
 Speed Ratios: I - 9.01, II - 5.27, III - 3.22, IV - 2.04, V - 1.36, VI - 1.00, Reverse - 8.36

PROPELLER SHAFT

1710 Series: GB to Rear Axle, SPL90 Series

REAR AXLE

Fully Floating Tandem Axles: both driven Hypoid Bevel Gears with inter axle Diff. lock-air operated Ratio: 6.17:1

FRONT AXLE

Forged "I" Beam - Reverse Elliot type

FRAME

BSK 46 Steel, Ladder Type Bolted Cross members. Side Member: 256 x 75 x 7 mm Channel reinforced with interchannel section of 5 mm thick

SUSPENSION

Front: Semi Elliptical leaf springs with shock absorbers. Span : 1650 mm

Rear : Fully articulated inverted Semielliptical Leaf Springs on Tandem Bogie Triunion with Torque rods Span: 1350 mm

SHOCK ABSORBERS

Heavy Duty, Double-Acting Hydraulic Shock Absorbers on Front Suspension

STEERING

Integral Power Steering, with Double UJ. Ratio 20.4:1
 Adjustable Steering Wheel
 Steering Wheel Dia: 475 mm

WHEELS & TYRES

Rims : B7.5 x 20 - 10 Bolts, Spigotted
 Tyres: Front: 10.00 X 20 - 16 PR - 2 Nos (Highway)
 Rear: 10.00 X 20 - 16 PR - 8 Nos (Lug)
 Spare: 10.00 X 20 - 16 PR - 1 Nos (Highway)

BRAKES

Service Brake: Dual Circuit Full Air
 Parking Brake: Spring Actuated on Rear Axles
 Engine Exhaust Brake: Butterfly Type, Provided

ELECTRICAL SYSTEM

System : 24 Volts (Negative Earth)
 Alternator : 75 Amps (A/C)
 Battery : 2 x 12v x 130 Amp hr (20 hr rating)

CABIN

Fully furnished, Tiltable Sleeper Cabin A/C

TRANSIT MIXER EQUIPMENT DATA

Capacity: 6 cu.m
 Make: Schwing Stetter
 Model: AM6SHN

PERFORMANCE (@ 25,000 Kgs)

Max. Speed - Geared (KMPH) : 78.00
 Max. Gradeability (%) Running : 26.2
 First gear (KMPH) : 26.2
 Min. Turning Circle Radius-mm : 9350

Do not weld or drill chassis
 Technical Specifications are subject to change without notice
 Accessories shown are not part of the standard fitment

