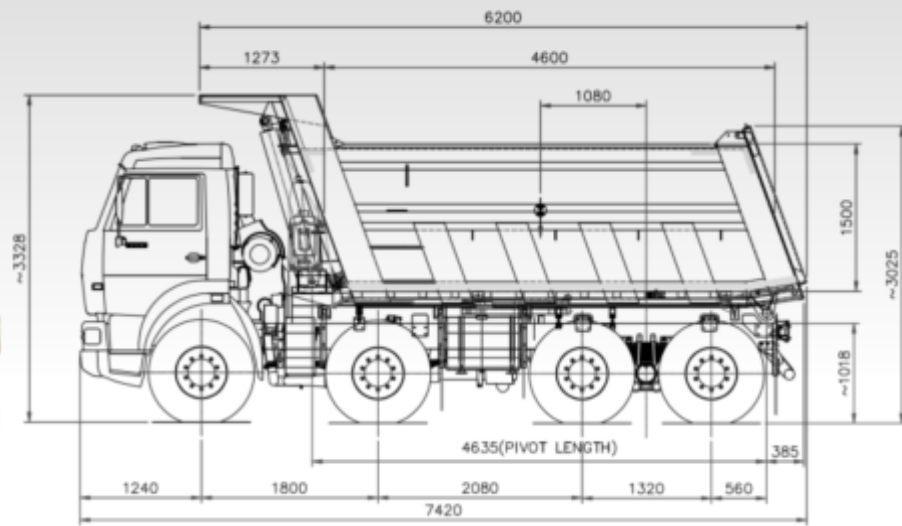




**KAMAZ
MOTORS**



TECHNICAL SPECIFICATION - 6540 (8X4 TIPPER)

WEIGHT

GVW (TONNE) 31

ENGINE

OPTION 1	TYPE	Kamaz 740.62-280
	BORE X STROKE MM	120X130
	NO. OF CYLINDERS	V shape 8
	DISPLACEMENT	11.76 liters
	MAX POWER	280 Hp @ 1900 RPM
MAX TORQUE	1177 Nm @ 1300-1500 RPM	

OPTION 2	TYPE	Cummins ISBe 285 30
	BORE X STROKE MM	107X124
	NO. OF CYLINDERS	Inline 6
	DISPLACEMENT	6.69 liters
	MAX POWER	285 Hp @ 2500 RPM
MAX TORQUE	970 Nm @ 1300 - 1700 RPM	

FUEL TANK

CAPACITY 250 Ltrs square steel tank, lockable fuel cap

CLUTCH

TYPE Single asbestos free disc, 430mm, dry plate-pull type, power assisted

GEAR BOX

TYPE ZF 9S1310 TO - Over drive manual gear shift pneumatic assisted

AXLES

FRONT Heavy duty reverse elliot forged I beam type
REAR Rear fully floating tandem axle

RATIO	OPTION 1	6.53:1
	OPTION 2	7.22:1

SUSPENSION

FRONT Semi-elliptical leaf springs with double acting shock absorbers with anti roll bar
REAR Heavy duty bogie type suspension with stabilizers

STEERING SYSTEM

TYPE ZF Servocom, power steering, steering wheel
DIAMETER 510mm
RATIO 21.7:1

BRAKES

TYPE Dual circuit drum brakes, asbestos free brake linings with automatic slack adjuster
Parking Brake: Spring actuated on rear axle

DIA 400mm

WIDTH 140mm

ENGINE BRAKE Kamaz engine exhaust brake

WHEELS & TYRES

NO. OF WHEELS 12 + 1 Spare wheel

SIZE Front: 11.00 X 20 - 16 PLY (Rib) - 4 Nos

Rear: 11.00 X 20 - 16 PLY (Lug) - 8 Nos

Spare: 11.00 X 20 - 16 PLY (Rib) - 1 No

CABIN

TYPE Day cabin, fully tillable, semi-suspended hydraulic controller

AC System Comfort pack (A/C)

ELECTRICAL SYSTEM

VOLTAGE 24 V

BATTERY CAPACITY 2 X 12 V, 165 AH, alternator capacity - 90 Amp

DUMP BODY

TYPE | OPTION 1 16, 18, 20 Cu.m Tipper

OPTION 2 16, 18, 20, 22 Cu.m Tipper

PERFORMANCE

MAX SPEED 90 Km/h

MAXIMUM GRADEABILITY OPTION 1: 47%

OPTION 2: 37%

DIMENSIONS (MM)

WHEEL BASE 3640

OVERALL LENGTH 7290

OVERALL WIDTH 2600

OVERALL HEIGHT, UNLADEN 3328

FRONT OVERHANG 1240

REAR OVERHANG 1410

FRONT TRACK 2043

REAR TRACK 1890

MIN. GROUND CLEARANCE 300

Note: Specifications and other parameters are subject to change.