

CLA 49.250 EVO 6X4

Tractor Head

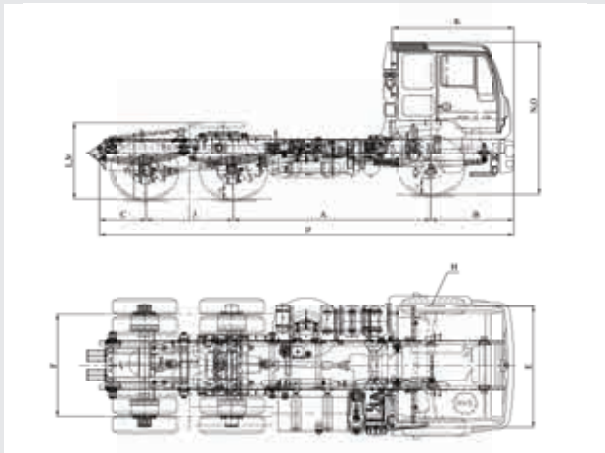


MAN Advantage

- BS-IV Compliant, MAN D-0836 Turbo charged, Inter cooled Engine with Electronically Controlled Common Rail System. Environment friendly, Fuel Efficient, Most reliable.
- Strong rigid Front Axle, Hypoid Rear Axles providing super traction. Unmatched reliability and outstanding gradeability.
- MAN patented Exhaust Valve Brakes (EVB) in combination with LSV & ABS provides extra safe braking and long life.
- High gradeability for smooth driving on steep gradients and challenging situations.
- New generation aerodynamic cabin with heat and sound dampeners. Hydraulically operated tilt cabin mechanism. Maximum comfort and safety for driver.
- Prompt and efficient after sales service provided by a nation wide network of main and associate dealers, parts depots, mobile service vans, 24x7 helpline.

Applications

- For all trailer applications (flat bed for cargo, skeletal for containers, low bed for equipment, tip trailer application).
- Tankers for chemicals, gas, cement bulkers, refrigerated trailer etc.



Technical Specifications

Dimensions (mm.)

Wheelbase (A +J/2)	3890
Front Overhang (B)	1300
Rear Overhang (C)	725
Overall Length (D)	6630
Front Track (E)	2075
Rear Track (F)	1818
Minimum Ground Clearance At Front / At Rear	292/272
Turning Radius (H)	7500
Distance between two rear axles (J)	1430
Cabin Length (K)	1805
Overall Height from Ground (R)	2739
Overall Height from Ground (Unladen)	2786

Weights (in kg)	Unladen*	Gross Combination Weight
Total	7900 (Kerb Weight)	49000

* Nominal Values

Engine	MAN D-0836
Type	DI, Turbo Charged Intercooled
No. Of Cylinders	6, Inline
Displacement	6.9 Litres
Max Power output	255 HP (187 kW) @ 2300 r/min
Max Torque	950 Nm @ 1100-1850 r/min
Emission Compliance	BS-IV
Fuel System	Common Rail
Fuel Tank	300 litres
NO _x Doser	35 litres

Clutch : Single Plate, Power Assisted.

Gearbox : 9-speed Synchronmesh Gearbox.

Front Axle : Heavy Duty Straight Forged I-Beam type, Maintenance free Hub Bearings.

Rear Axle : Fully floating single speed **Hypoid Axle.**

Chassis Frame : C-channel rolled section, selectively reinforced, cross-members made of high-strength steel.

Steering : Power steering, Telescopic & Adjustable.

Brakes : S-Cam, Dual-circuit, Air Actuated Drum brakes, Automatic slack adjuster and asbestos-free brake linings, Exhaust Valve Brakes (EVB), ABS.

Suspension :

Front : Parabolic Leaf springs with Double Acting Shock absorbers.

Rear : **Bell Crank** Type Suspension.

Cabin : MAN Sleeper Cab with **AC optional.**

Hydraulic Cab tilt with tilt angle of 60 degrees.

Bumper - SMC Bumper with H7 twin headlamps & daytime running lamp.

Wheels & Tyres :

Wheel Rim Size 8.25" X 22.5"

Tyres 11R20

Twin mounted tyres on rear Axles, Spare wheel with tyre.

Electrical System :

Double pole wiring system with separate ground wire harness enclosed in safe sheathing/casing.

Battery capacity 2x12 V, 100 Ah

Alternator capacity 80 AMP

Trailer connections : 2" Compatible 5th wheel coupling. Two Pneumatic coiled hoses for trailer brake connection. 7 pole electrical connection.

Performance Data :

Max. Gradeability Crawler Gear 27%

Max. Gradeability First Gear 18%

Max. Startability Crawler Gear 22%

Max. Speed (in Top Gear) 80 kmph

MAN Trucks India Pvt. Ltd.

201-216, Pride Silicon Plaza
Beside Chatusrunji Temple, Pune 411016.

Tel: +91 20 66452828 | www.mantrucksindia.com

CIN: U34102PN2006PTC022147

A member of the MAN Group

Printed in INDIA
Text and Illustrations not binding.
Subject to changes in the course of technical progress.

